



Installation Data

for industrial sectional doors
Vaild from 1 March 2009

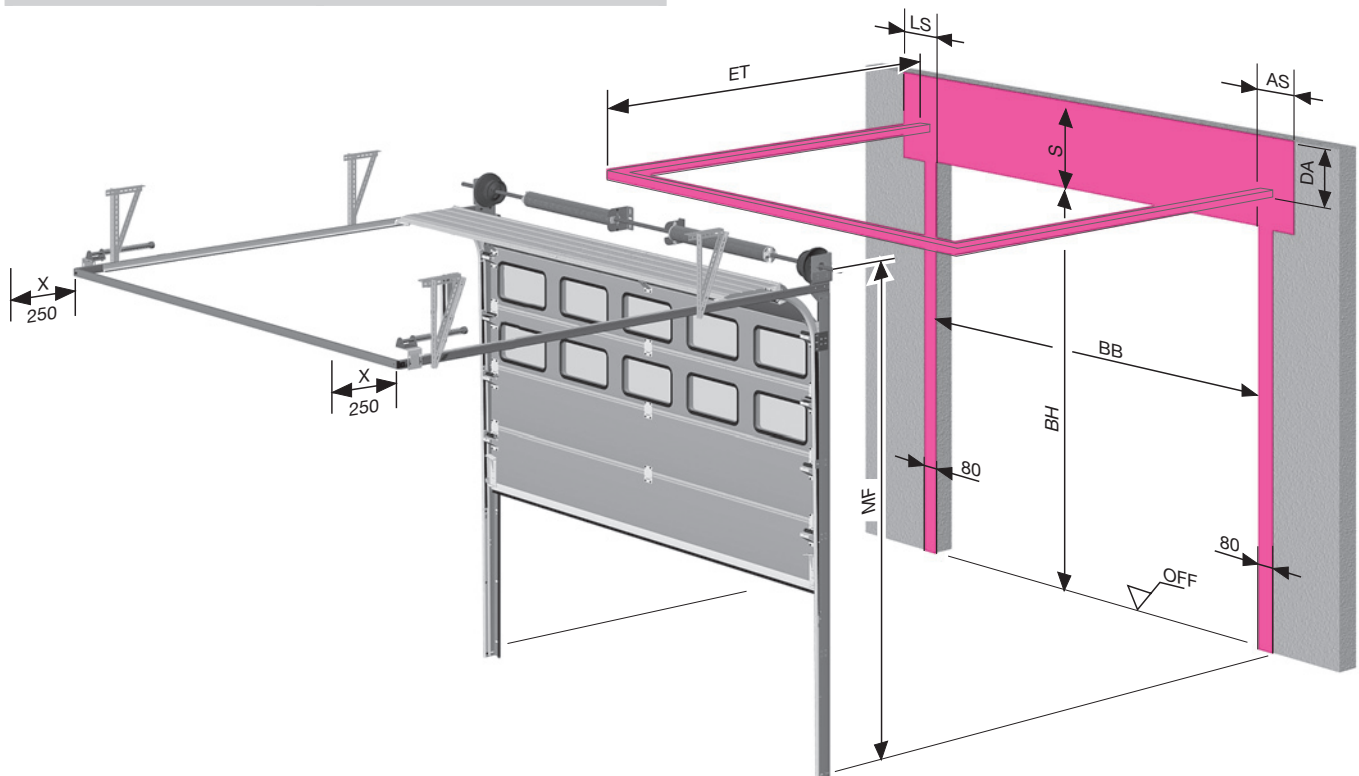


6. Required space type "N" - normal fitting

Required sideroom	LS	AS
Manual operation	110	110
Gearred chain	110	185
Direct drive	110	210
Chain drive	110	150
Overhead drive IT 252.2 on request: - BH ≤ 3000 - only for doors with 500 section - max. 48 cycles / day		
All measurements in mm		

Number of required suspensions	
Up to depth of 3500 mm	2 suspensions per side
Up to depth of 4500 mm	3 suspensions per side
Up to depth of 5500 mm	4 suspensions per side
Above depth of 5500 mm	5 suspensions per side

Required headroom	DA	S	MF
BH ≤ 3600	260	400	BH + 310
BH ≥ 3601 ≤ 5500	310	450	BH + 350
BH ≥ 5501 ≤ 6000	360	500	BH + 375
BH above 6000 on request			
Installation depth	ET		
	BH + 525 + X		



AS: Sideroom on drive side
 BB: Order dimensions width
 BH: Order dimensions height
 DA: Ceiling distance
 ET: Installation depth

LS: Sideroom on bearing side
 MF: Middle of spring shaft
 S: Headroom
 X: Spring buffer projection

14. Required space type "NSH" - low headroom fitting

Required sideroom	LS	AS
Manual operation	120	120
Geared chain	120	120/185 ¹
Direct drive (max. 20 rpm)	120	120/210 ²
Chain drive	120	120/150 ³
Overhead drive ⁴	120	120

¹ With geared chain on the outside (chain only possible with hanging installation / clear passage height is reduced)

² With direct drive on the outside

³ With chain drive on the outside

⁴ Overhead drive IT 252.2 on request:
 - BH ≤ 3000
 - only for doors with 500 section
 - max. 48 cycles / day

All measurements in mm

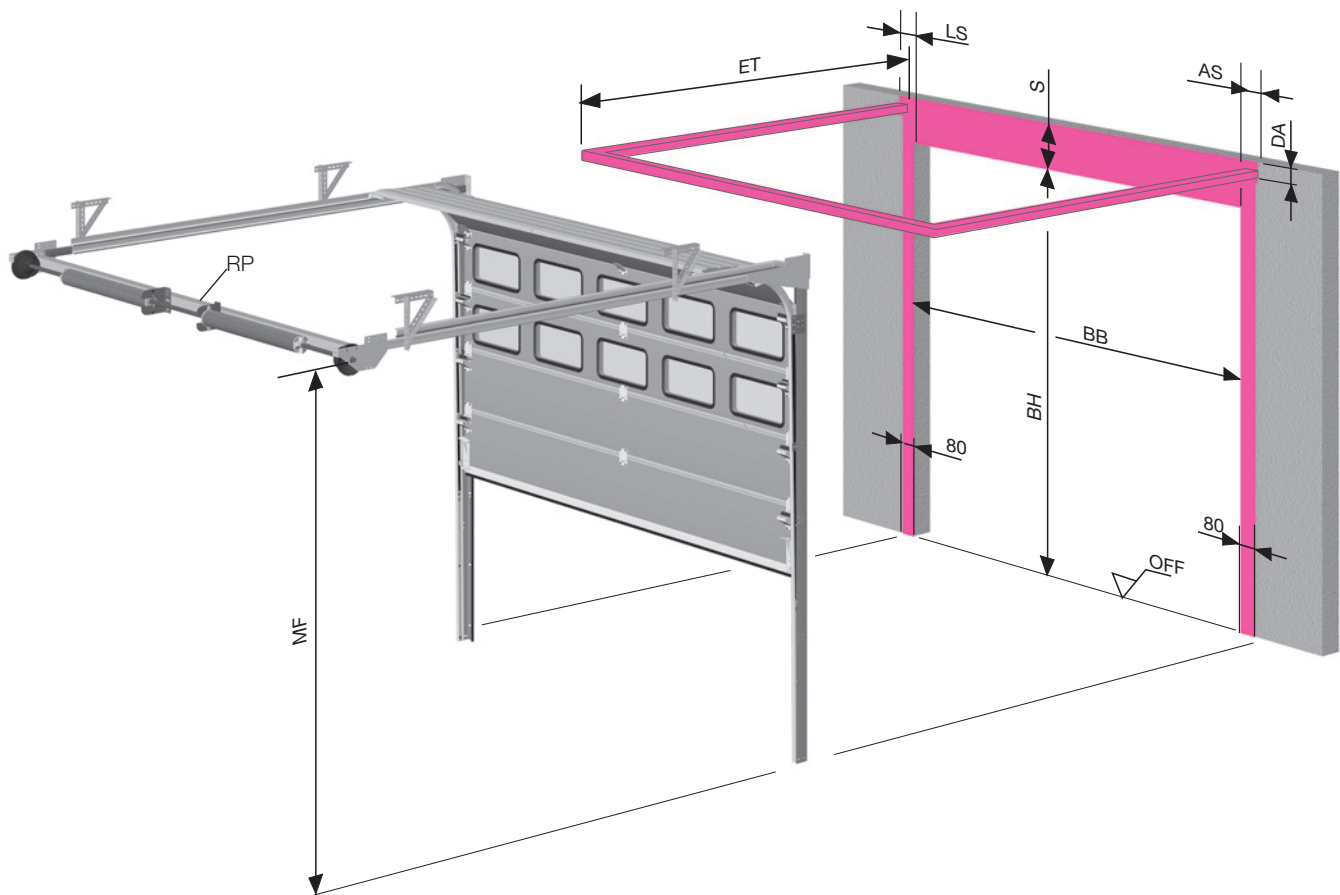


We recommend a drive with "overhead installation", emergency handcrank or emergency unlocking.

Required headroom	DA	S	MF
Manual operation	135	270 ⁵	BH + 95
With overhead drive	185	300	BH + 95
With wicket door / overhead drive	185	300	BH + 95
With direct drive	135	270 ⁵	BH + 95
BH ≤ 5500, max. 23 m ² door surface			
BH above 5500 on request			
⁵ Headroom height 250 possible on request			

Installation depth	ET
Manual operation, without drive	BH + 900
Direct drive with hanging installation	BH + 1000
Direct drive with horizontal installation	BH + 1150

Number of required suspensions	
Up to depth of 3500 mm	2 suspensions per side
Up to depth of 4500 mm	3 suspensions per side
Up to depth of 5500 mm	4 suspensions per side
Above depth of 5500 mm	5 suspensions per side



AS: Sideroom on drive side
 BB: Order dimensions width
 BH: Order dimensions height
 DA: Ceiling distance
 ET: Installation depth

LS: Sideroom on bearing side
 MF: Middle of spring shaft
 RP: Tubular profile to secure spring system
 S: Headroom